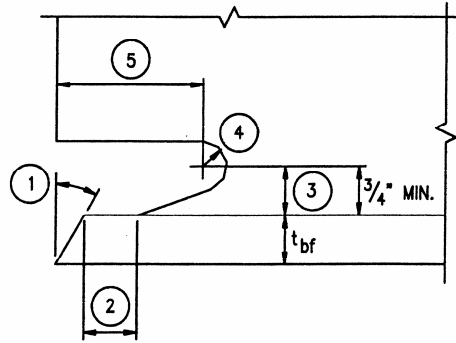
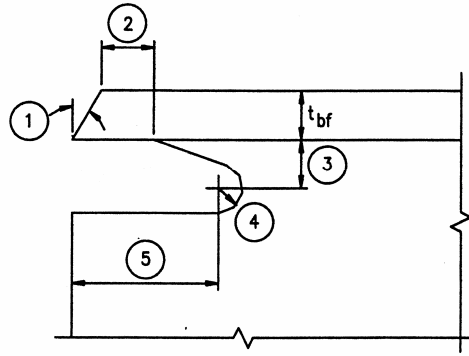


## Revision and Errata List

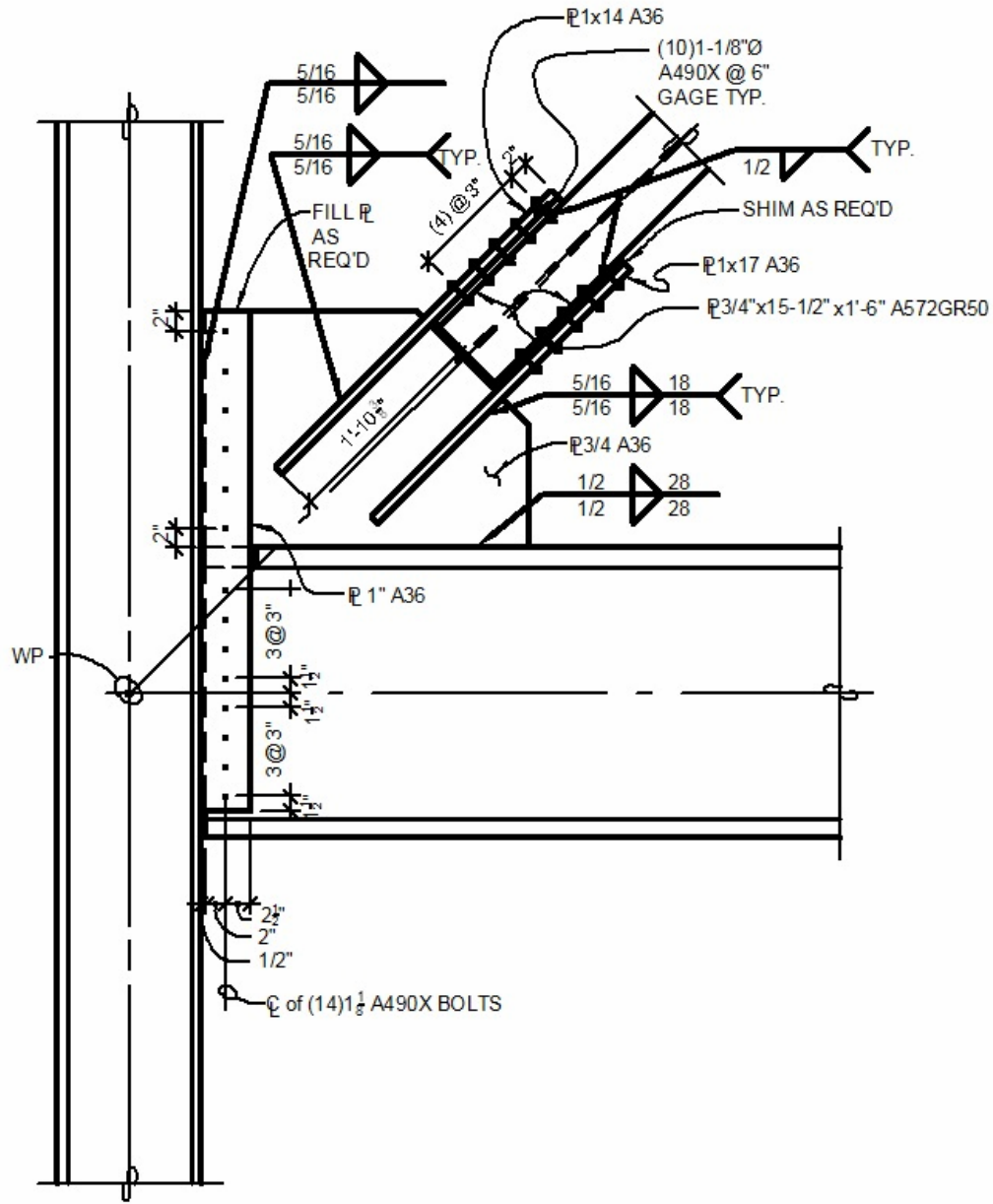
### AISC Seismic Design Manual, Second Printing

The following list represents corrections that have been made in the Third Printing of the Seismic Design Manual.

Page(s)	Item
1-18	Replace the Figure in Table 1-1 with the attached Figure.
3-26	In the first paragraph, the calculation for $\bar{\alpha}$ should be changed to, $\bar{\alpha} = \frac{1}{2} (12 \text{ in.} + \frac{1}{2} \text{ in.} - 5 \text{ in.} - \frac{1}{2} \text{ in.}) + 2 \frac{1}{2} \text{ in.} + \frac{1}{2} \text{ in.}$ $= 6.50 \text{ in.}$
3-27	In Figures 3-5a and 3-5b, the dimension " $e_c + 2\frac{1}{2}$ " should be replaced with " $e_c$ ".
3-48	In the fourth line, replace " $= 332 \text{ kips}$ " with " $= 322 \text{ kips}$ ".
3-106	Replace Figure 3-24 with the attached Figure 3-24.
6.1-40	Note 6 should be added to Figure 11-1, which reads, "See FEMA-353, 'Recommended Specifications and Quality Assurance Guidelines for Steel Moment-Frame Construction for Seismic Applications,' for fabrication details including cutting methods and smoothness requirements."
6.1-56	In the fourth line of the last paragraph, " $F_{ysc}$ " should be replaced with " $P_{ysc}$ ".



Replacement figure for Table 1-1.



Replacement Figure 3-24.